

Cut out for
M3 x8

seal uncompressed

PCB max. dimension
147 x 46.2mm
Height: see section

Light
direction

Seal

installed

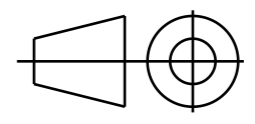
PART	TYPE	MATERIAL	COLOR / COATING
STRADA-IP-24-SEAL	Seal	Silicone	Translucent
SPORT-IP-24-FT6W	Lens	Pmma	Clear
CS18971_SPORT-IP-24-FT6W	Assembly		

MECHANICAL DRAWING

PRODUCT
Sport

Plastic moulding general tolerances according to DIN 16901-130 and applies if not otherwise shown in the drawing. Silicone moulding general tolerances according to ISO 3302-1 Class M3 and applies if not otherwise shown in the drawing.

FIRST ANGLE PROJECTION:



SCALE 1:1

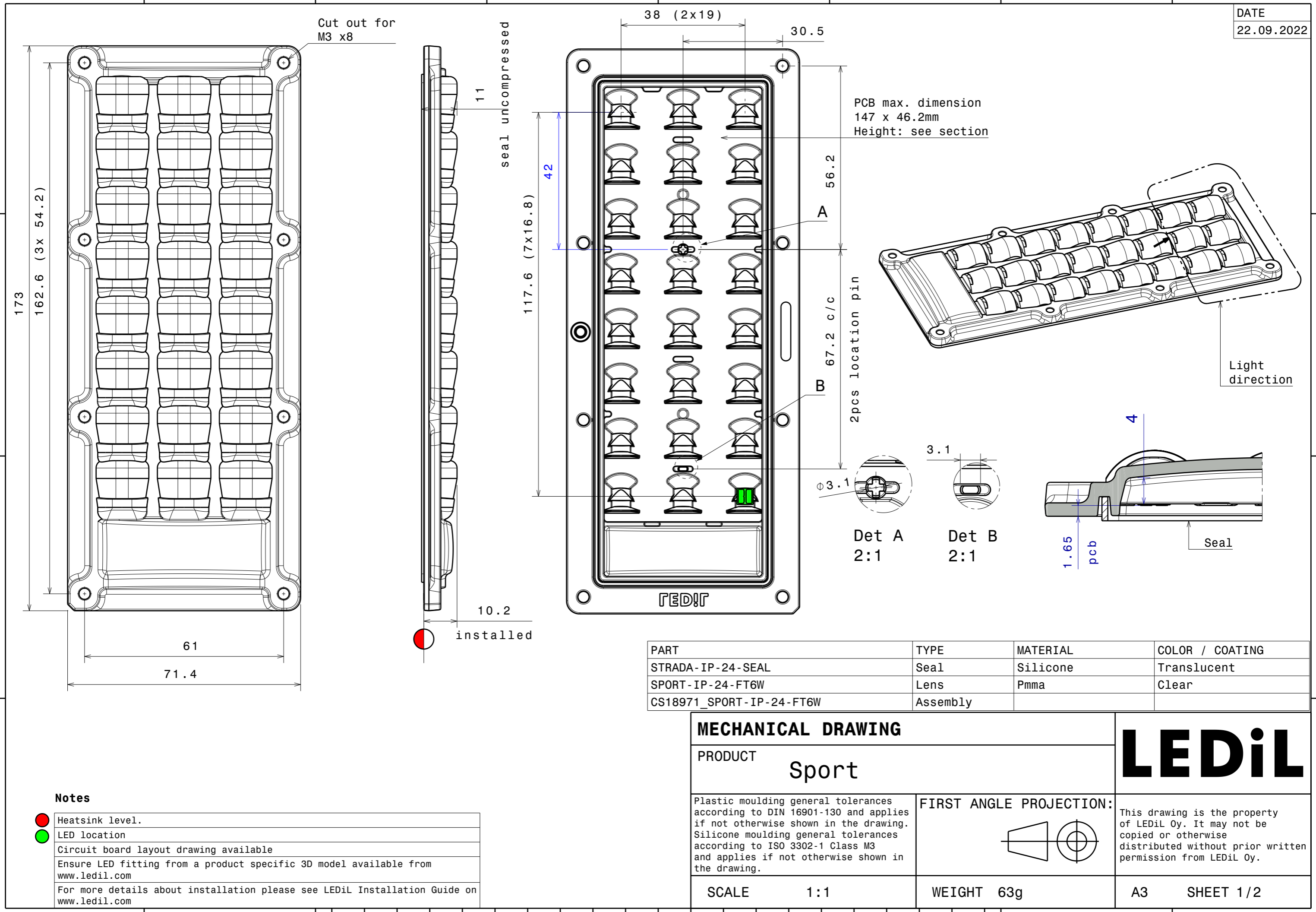
WEIGHT 63g

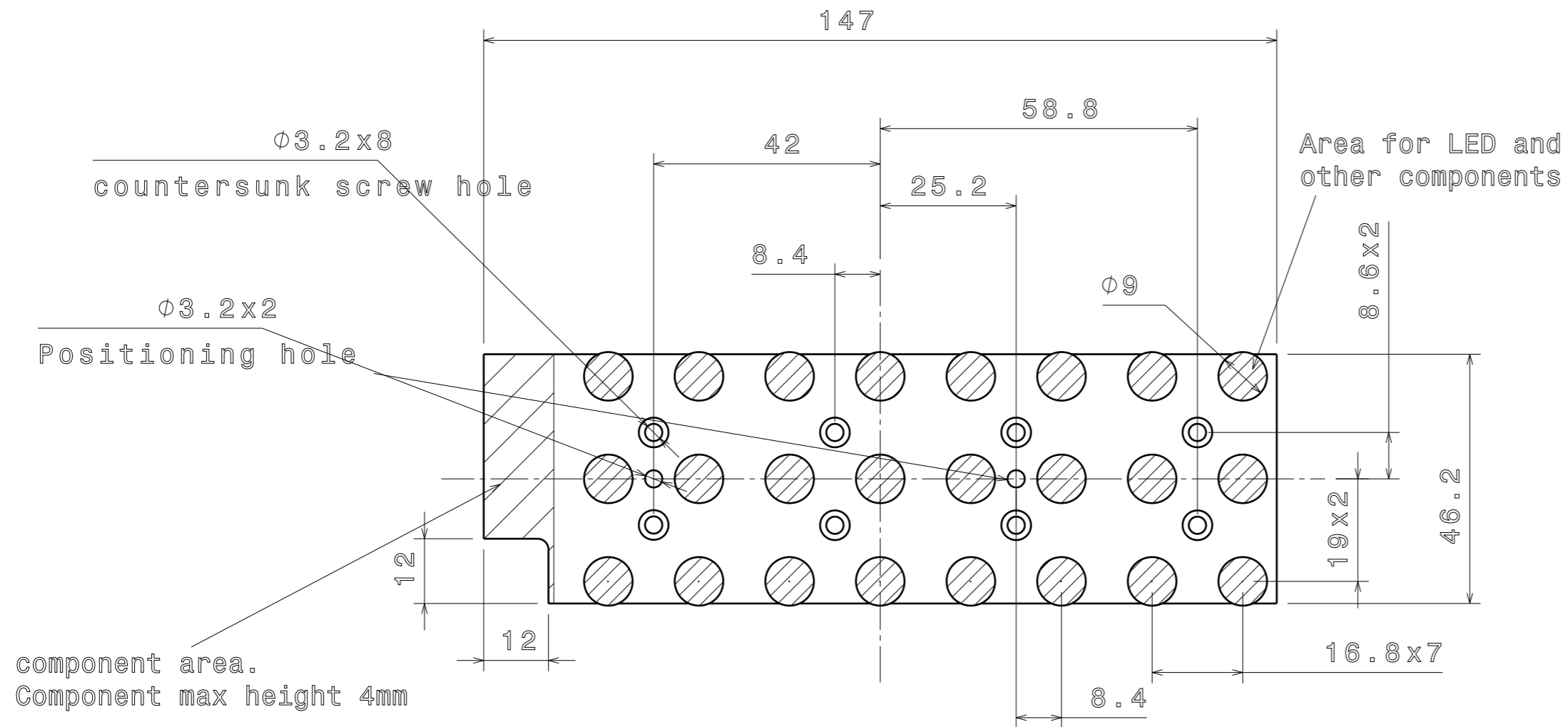
LEDiL

This drawing is the property of LEDiL Oy. It may not be copied or otherwise distributed without prior written permission from LEDiL Oy.

A3 SHEET 1/2

- Notes**
- Heatsink level.
 - LED location
 - Circuit board layout drawing available
 - Ensure LED fitting from a product specific 3D model available from www.ledil.com
 - For more details about installation please see LEDiL Installation Guide on www.ledil.com



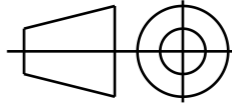


component area.
Component max height 4mm

It is recommended to rotate
LED from position to position.



PART	TYPE	MATERIAL	COLOR / COATING
pcb	Layout	-	-

MECHANICAL DRAWING		LEDiL [®]
PRODUCT	Strada-IP-24	
Plastic moulding general tolerances according to DIN 16901-130 and applies if not otherwise shown in the drawing. Silicone moulding general tolerances according to ISO 3302-1 Class M3 and applies if not otherwise shown in the drawing.	FIRST ANGLE PROJECTION: 	This drawing is the property of LEDiL Oy. It may not be copied or otherwise distributed without prior written permission from LEDiL Oy.
SCALE 1:1	WEIGHT -	A3 SHEET 2/2